

 ***Rescue Cockpit***





Rescue Cockpit

For pilots who prefer to fly with a front rescue, the Rescue Cockpit can be used with most harnesses and rescues.



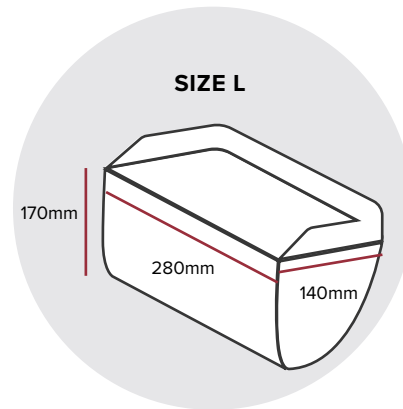
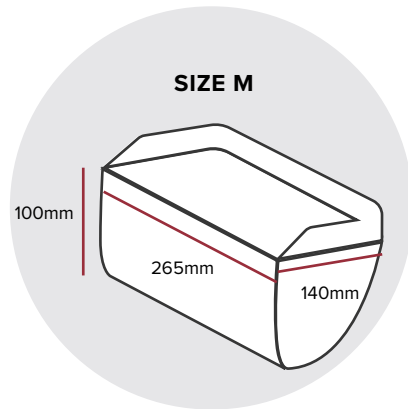
The instrument panel allows easy viewing of all your flight instruments

TECHNICAL SPECIFICATIONS

Rescue cockpit

Size	M	L
Compatibility	Smaller rescues: Yeti 27/35/40 Yeti cross 27/32 G-lite 32	Larger rescues: Yeti 45/50 Yeti cross 38 G-lite 39

Weight: 600g



DON'T GIVE UP THE DREAM



Gin Gliders
2318-32, Baegok-daero,
Mohyeon-myeon, Cheoin-Gu,
Yongin-city,
Gyeonggi-Do,
17036 Korea

www.gingliders.com